

# SkyHigh ONFI1.0 SLC NAND FLASH MEMORY



## INTRODUCTION

SkyHigh Memory's highly reliable SLC NAND products offer a high-density solution optimized for embedded systems. SkyHigh Memory products include differentiated features such as operating temperature support up to 105°C, AEC-Q100 qualification for automotive applications and packages as small as 52mm<sup>2</sup>. All of SkyHigh Memory's SLC NAND products are backed by SkyHigh Memory's world-class customer support and commitment of supply longevity. For applications where security is a priority, SkyHigh Memory offers the SL-2 SecureNAND™ and ML-3 product family which provides enhanced protection features.

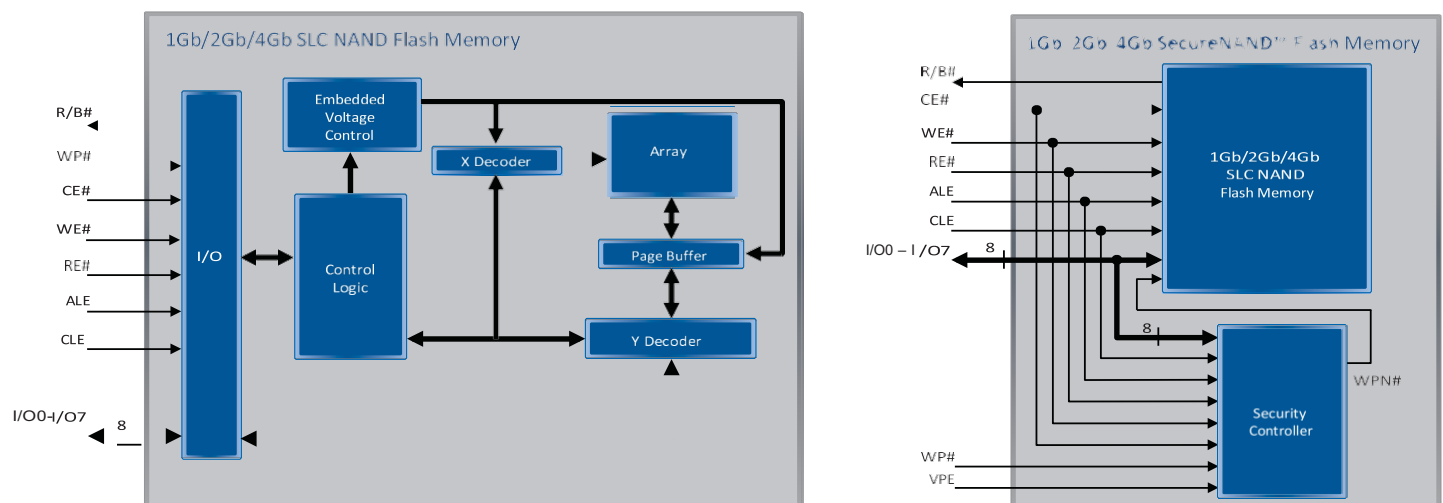
## FEATURED PRODUCT FAMILIES

ML-1/MS-1	ML-2/MS-2	ML-3	SL-2
Densities: 1Gb to 8Gb	Densities: 1Gb to 16Gb	Densities: 1Gb to 8Gb	Densities: 1Gb to 4Gb
Voltages: 3V and 1.8V options	Voltages: 3V and 1.8V options	Voltages: 3V	Voltages: 3V
Reliability: 100,000 P/E Cycles 10-year Data Retention	Reliability: 100,000 P/E Cycles 10-year Data Retention	Reliability: 100,000 P/E Cycles 10-year Data Retention	Reliability: 100,000 P/E Cycles 10-year Data Retention
ECC: 1-bit ECC	ECC: 4-bit ECC	ECC: 0-bit ECC, Support 1/4/8-bit ECC SoC	ECC: 4-bit ECC
Temperature: -40°C to +85°C -40°C to +105°C	Temperature: -40°C to +85°C -40°C to +105°C	Temperature: -40°C to +85°C -40°C to +105°C	Temperature: -40°C to +85°C -40°C to +105°C
Package: 48-pin TSOP 12x20x1.2mm 63-ball BGA 9x11x1.0mm	Package: 48-pin TSOP 12x20x1.2mm 63-ball BGA 9x11x1.0mm 67-ball BGA 8x6.5x1.0mm	Package: 48-pin TSOP 12x20x1.2mm 63-ball BGA 9x11x1.0mm	Package: 63-ball BGA 9x11x1.0mm
		Security: Enhanced Protection Features	Security: Enhanced Protection Features

## KEY APPLICATIONS

Automotive Instrument Clusters and Infotainment Systems | Communication Equipment | Consumer Electronics | Industrial Automation

## FUNCTIONAL REPRESENTATION



## SLC NAND FLASH PORTFOLIO FEATURED PARTS

Family	Voltage	ECC Req	1Gb	2Gb	4Gb	8Gb	16Gb
S34ML-1	3.0V	1 bit		S34ML02G1	S34ML04G1	S34ML08G1	
			48-pin TSOP 63-ball BGA				
S34MS-1	1.8V	1 bit		S34MS02G1	S34MS04G1		
			48-pin TSOP 63-ball BGA				
S34ML-2	3.0V	4-bit	S34ML01G2	S34ML02G2	S34ML04G2	S34ML08G2	S34ML16G2
			48-pin TSOP 63-ball BGA				
S34MS-2	1.8V	4-bit	S34MS01G2	S34MS02G2	S34MS04G2	S34MS08G2	S34MS16G2
			48-pin TSOP 63-ball BGA			63-ball BGA	
S34ML-3	3.0V	0-bit min.	S34ML01G3	S34ML02G3	S34ML04G3	S34ML08G3	
			48-pin TSOP 63-ball BGA				
S34SL-2	3.0V	4-bit	S34SL01G2	S34SL02G2	S34SL04G2		
			63-ball BGA				

This table is only a summary. To view SkyHigh' s entire NAND Flash Memory portfolio, please visit:

<http://www.skyhighmemory.com>



SkyHigh Memory Limited  
Suite 4401-02, 44/F One Island East,  
18 Westlands Road Hong Kong  
Tel: +82 31 606 7023

